

# LPG Detector-Transmitter

## E2638-LPG

### SONIC-ADD-MC2



Made in EU



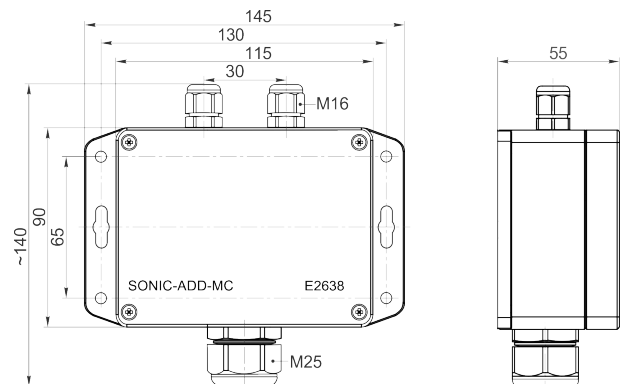
### Features

- Easy to install robust enclosure
- Two analog outputs settable to 4-20 mA or 0-10 V
- RS485 Modbus RTU digital interface
- Relay option
- LCD indicator option

### Specifications

Detected gases	butane, hydrogen, methane, propane	
Default calibration	propane C <sub>3</sub> H <sub>8</sub>	
Sensor type	catalytic bead (pellistor) option: metal oxide semiconductor (MOS)	
Sampling method	diffusion	
	pellistor sensor	MOS sensor
Typical detection range	0...100% LEL	0...100% LEL
Resolution	1% LEL	0,1% LEL
Response time T90	8 s	ca. 60 s
Sensor lifetime	> 2 years	> 5 years
Maintenance interval	3...6 months	12 months
Operating conditions	-20...+60 °C      -30...+70 °C < 95% RH non-condensing; 0,9...1,1 atm; explosion safe areas non-aggressive atmosphere normal ambient oxygen level avoid strong mechanical shock, vibrations or EMI avoid exposure to corrosive gases	
Signal update	every 1 second	
Self-diagnostics	full functionality check at start-up	
Warm-up time	≤ 1 min	
Power supply	11...30 VDC, 24 VAC or 90...265 VAC	
Power consumption	< 2 VA	
Digital interface	RS485, Modbus RTU protocol	
Analog outputs	2 × 4-20 mA / 0-10 V, user settable	
Output scale width	recommended: 20-100% of the range; > 10 × resolution in any case	
Enclosure	grey ABS plastic, wall mount, protection class IP65	
Dimensions	H90 × W145 × D50 mm (housing only)	
Operating environment	industrial indoor and outdoor locations	

### Dimensions



## Additional options

Self-test button triggers both relays simultaneously; push-button switch

### Relay outputs

Output relays 2 × SPST relays (closing contact), 250 VAC / 30 VDC, 5 A max

Default alarm set-points  
 RE1 (LOW): 20% LEL / 16% LEL  
 RE2 (HIGH): 50% LEL / 40% LEL

### Alarm signalling

Visual red and green LEDs

Acoustic buzzer 85 dB

### LCD indicator

Operating temperature 0...+50 °C

Display dimensions 72 × 36 mm

Number of digits 3.5 7-segment

Character height 14 mm

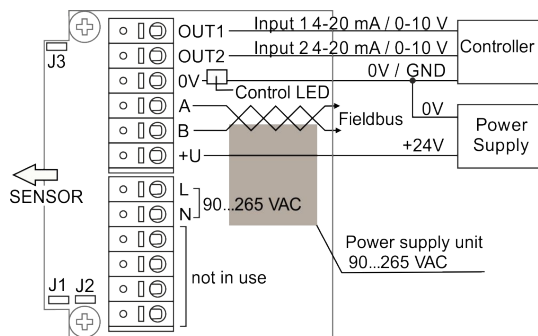
Other features Backlight

Note: only one analog output is available for a version with LCD

## Version with LCD indicator



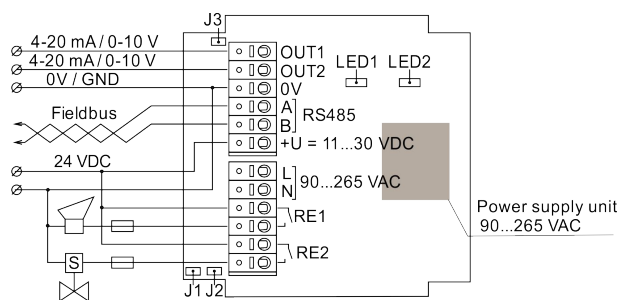
## Connection diagram for versions without relays



J1: OUT1 type (open: 4-20 mA; closed: 0-10 V)  
 J2: OUT2 type (open: 4-20 mA; closed: 0-10 V)  
 J3: return to factory settings

Note: for 24V versions only one terminal block is mounted

## Connection diagram for versions with relays



J1: OUT1 type (open: 4-20 mA; closed: 0-10 V)  
 J2: OUT2 type (open: 4-20 mA; closed: 0-10 V)  
 J3: return to factory settings  
 LED1: device status control  
 LED2: power indication\*  
 \*only for enclosures with LED indicators

